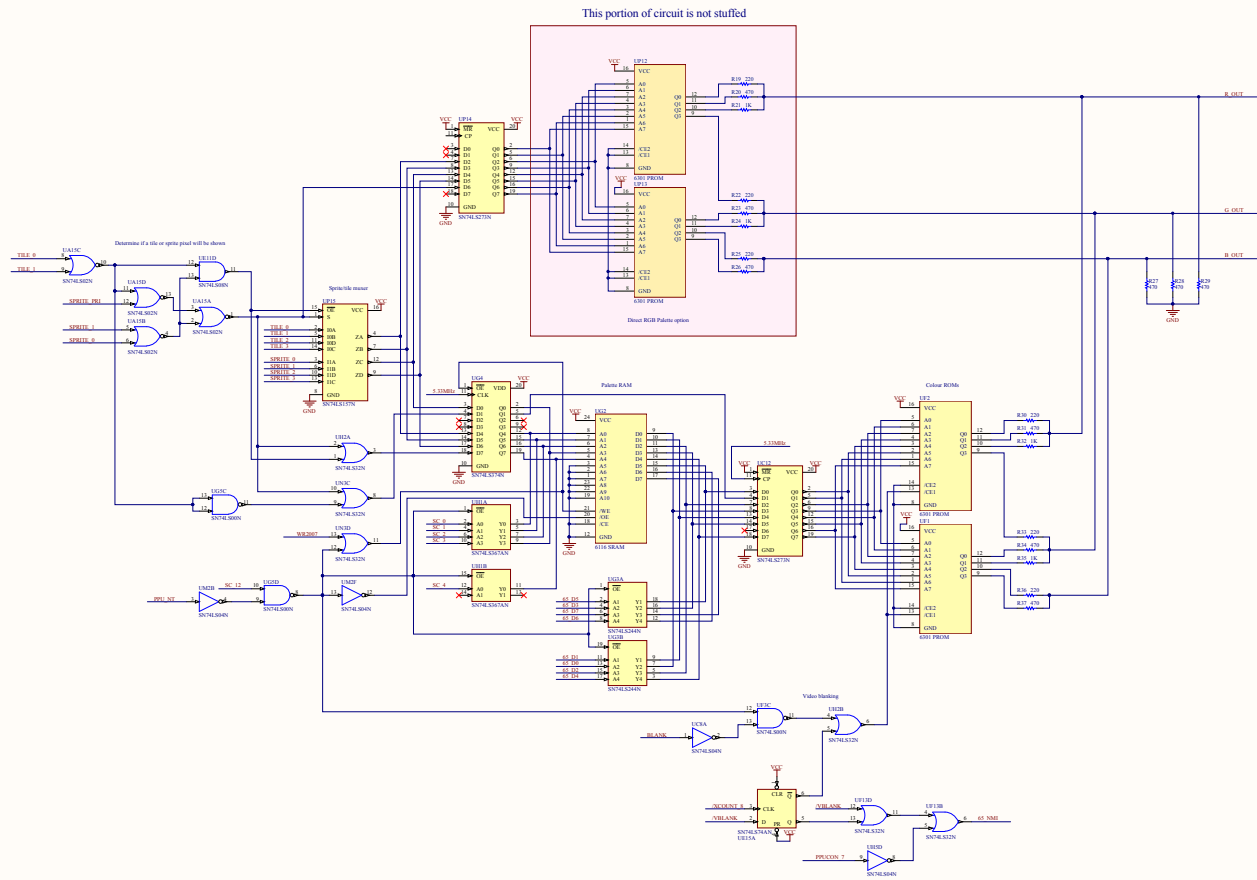


Unused Gates



These 3 counters can count by 16 or 32's.
They are all composed into one using
16 to 32 bits, 32 to 64 bits or 64
bits to 256 bits. See also the 8-bit counter.
Writing by 256's later will be possible.

These counters select between:
15 - Nonvolatile data of
251 - 65536 counts

Align the attention with the file name (the change depending on the X count)

Add the second value to the counter to select prepare the #

This generates the "split 0" for to split the counter for the main bus.
It just counts off the normal of actually checking again.
The counter is preloaded to a low 1024 gate high value
the count reaches 15. This means the split happens after the first 11 bits of this after *blank

