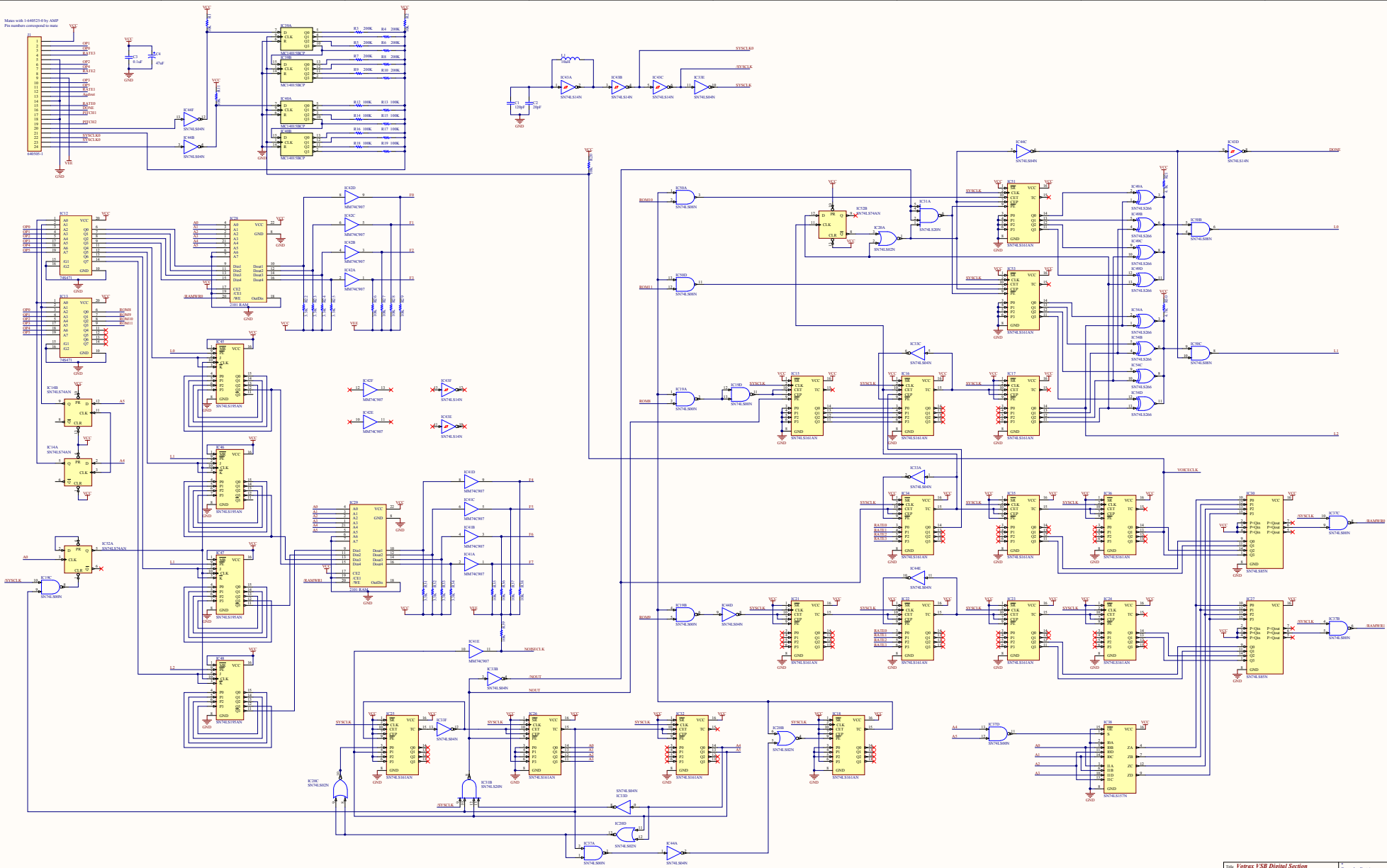
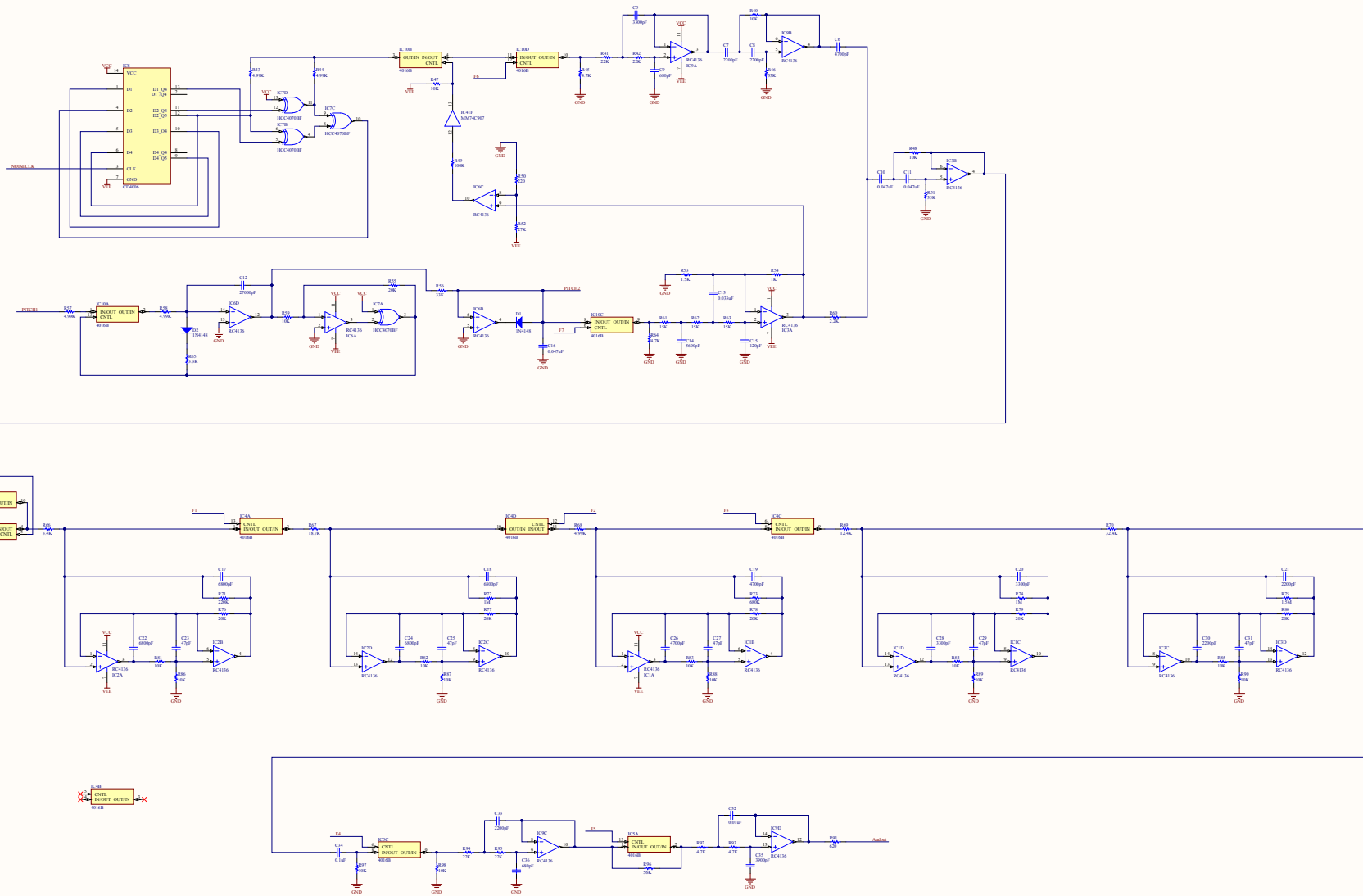


Make with 1-64025-0 by AMP
Pin numbers correspond to board





All chips on this page connect to VCC-VDD for power

File: **F0003 USB Analog Section**

Doc. ID: **Number*** | Revision: **+**
 Date: **03/2019** | File: **2019.03** | Sheet: **1 of 1**
 P/N: **0-10000** | www.altrium.com

Drawn by: **Kevin**

